

■ X-band 40W/60W BUC

**Under
Development**

MODEL No. NJT5873 & NJT5874 series

< Features >

- * **GaN-Based HEMT Equipped**
- * **High Efficiency & Low Distortion**
 - (60W Model) * Psat: +47.8 dBm (60 W)
 - * ACPR: 30 dBc @ Pout = +44.8 dBm
 - * Power Consumption: 310 W at DC
 - (40W Model) * Psat: +46 dBm (40 W)
 - * ACPR: 30 dBc @ Pout = +43 dBm
 - * Power Consumption: 220 W at DC
- * **M&C Function Equipped**
 - Various Interface: RS-422/485 & Ethernet
- * **AC Power & DC Power Operation Option**
- * **RoHS Compliance**



< Line-Up >

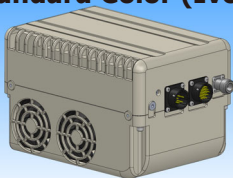
Model No.	RF Frequency	Local Frequency	IF Frequency	Output Power	IF Connector	Power Supply	M&C Option
NJT5874NMXD	7.9 to 8.4 GHz (X-band)	6.95 GHz	950 to 1,450 MHz	60W Saturation (+47.8 dBm min.)	N-type	+36 to +60 V DC Power	Parallel I/O RS-422/485 Ethernet
NJT5874NMXA						AC Power	
NJT5873NMXD				40W Saturation (+46.0 dBm min.)		+36 to +60 V DC Power	
NJT5873NMXA						AC Power	

< Specifications >

Item	Specifications	
	60W Model	40W Model
Output Interface	Waveguide, WR-112 (with Groove)	
Input Interface	N-type, female (50 ohm)	
Saturation Output Power	+47.8 dBm nominal	+46.0 dBm nominal
Linear Gain	74 dB nominal	72 dB nominal
Gain Variation over frequency	4 dBp-p max. over 500 MHz / 2 dBp-p max. over 54 MHz	
Gain Stability over temperature	2 dBp-p typ., 4 dBp-p max.	
ACPR	-30 dBc typ. @ Pout = Psat - 3dBm	
L.O. Phase Noise	-63 dBc/Hz max. @ 100 Hz -93 dBc/Hz max. @ 100 kHz	-73 dBc/Hz max. @ 1 kHz -83 dBc/Hz max. @ 10 kHz -103 dBc/Hz max. @ 1 MHz
Output / Input V.S.W.R.	1.5 : 1 max. / 2.0 : 1 max.	
Power Requirement	DC Power: +36 to +60 V AC Power: 100 to 240 V (Rating: 90 to 264 V)	
Power Consumption @ Psat	310 W max. for DC Power 360 VA max. for AC Power Model	220 W max. for DC Power Model 260 VA max. for AC Power Model
Mute	Shut off the HPA in case of L.O. unlocked or no 10 MHz reference signal	
LED Indicator	Green: LO locked / RED: LO unlocked (or no 10MHz reference signal)	
M&C Function (1) Interface (2) Function	RS-422/RS-485/Ethernet, OpenBMIP Protocol Power Monitor / TX On/Off Control / Alarm / Step Attenuator... etc	
Temperature Range (ambient)	Operating: -40 to +60 °C / Storage: -40 to +75 °C	
Dimension & Housing	215 (L) x 150 (W) x 138.5 (H) mm without interface connector and screws	
Weight	4.1 kg for DC Power Model 4.5 kg for AC Power Model	

< Color Variation >

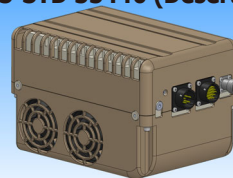
Standard Color (Ivory)



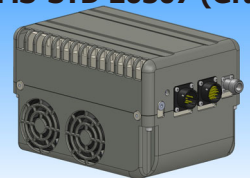
AMS-STD 34094 (Green)



AMS-STD 33446 (Desert Tan)



AMS-STD 26307 (Gray)



(1/2)

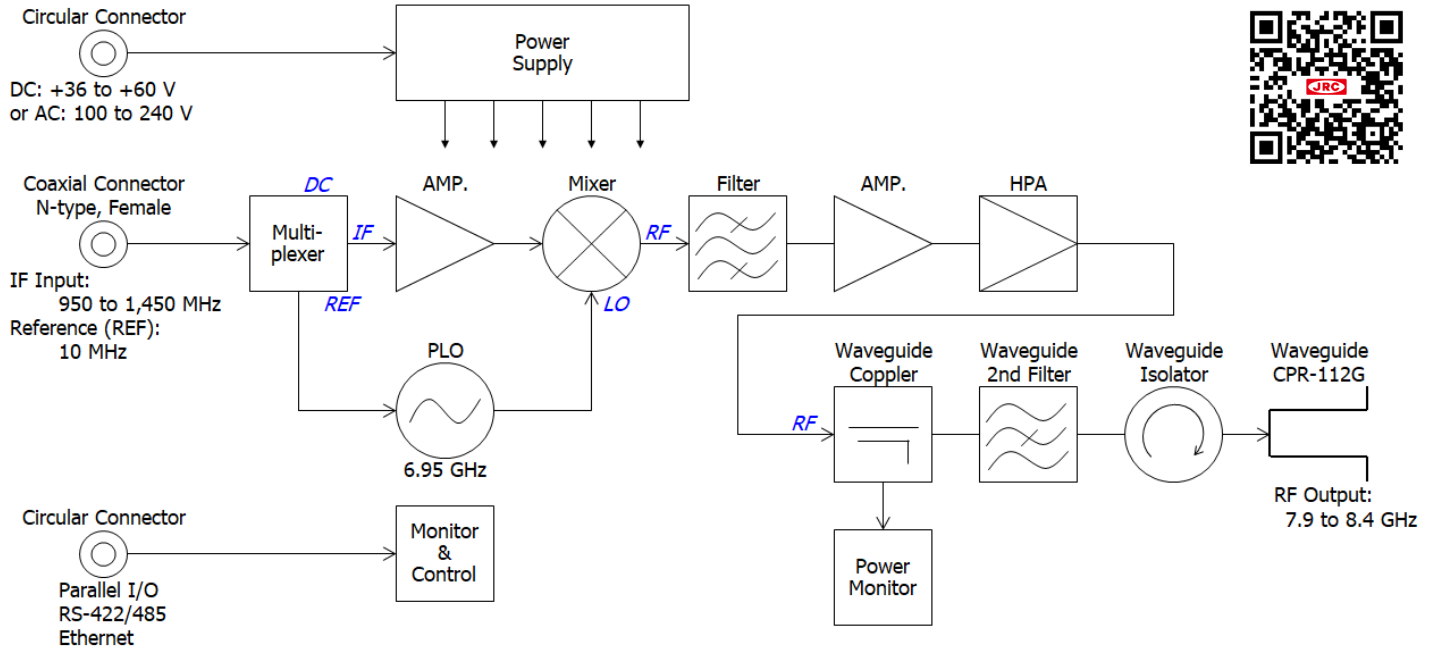
Rev.04 X-40/60W BUC_NJT5873/74

X-band 40W/60W BUC

Under Development

MODEL No. NJT5873 & NJT5874 series

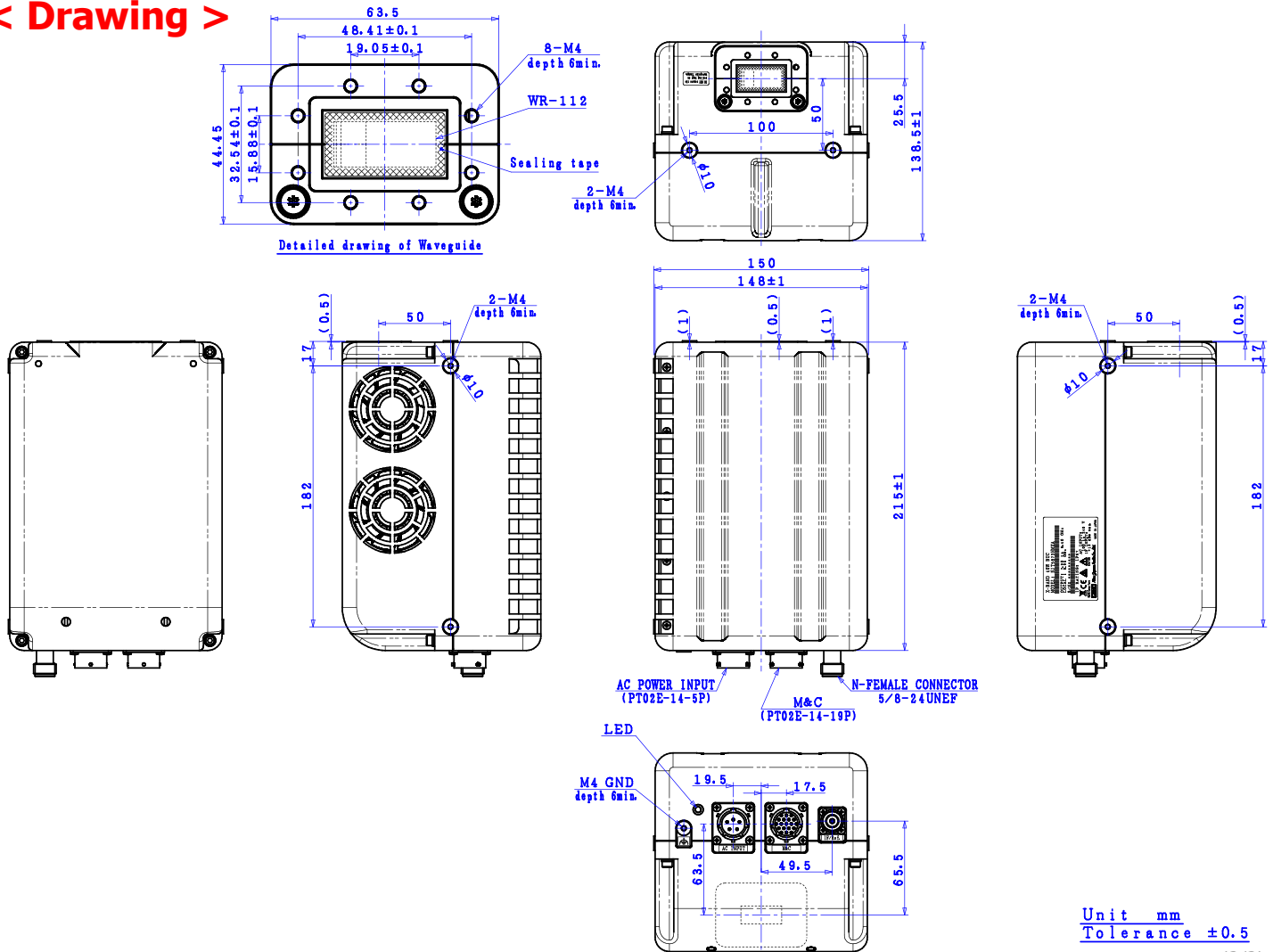
< Block Diagram >



Datasheet



< Drawing >



(2/2)

Rev.04 X-40/60W BUC_NJT5873/74